

# SEGWAY®

## Revised Battery Installation Procedure

To ensure proper PT battery installation, we are revising our battery installation instructions.

Follow the procedure below when attaching batteries to the chassis. This procedure will also be updated in any future user and service materials.

Please contact your local dealer or distributor if you have any questions. If you are unable to contact your local dealer or distributor, contact Segway Technical Support at 1-866-473-4929 for assistance.

### Attach the Batteries

#### ⚠ WARNING

Refer to the *Reference Manual*, *Getting Started Manual*, or *Lithium-ion (Li-ion) Batteries: Important Information* for battery-related safety precautions, and handling and charging instructions.

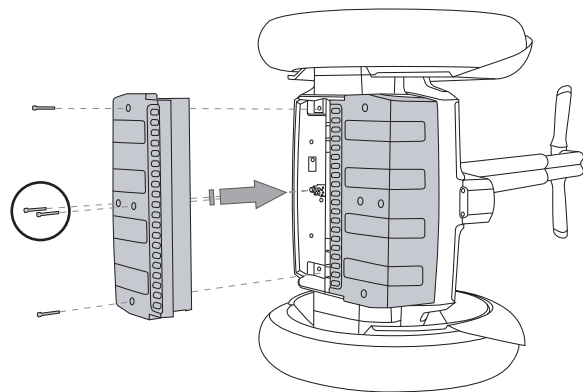
#### ⚠ CAUTION

To avoid risk of damage, do not use power tools to install or tighten fasteners.

**Tool Required:** Torque wrench with 3 mm bit

To attach the Batteries:

1. Make sure the Segway PT is unplugged and powered off.
2. Install one of the Batteries to the Powerbase, with the curved edge of the Battery to the outside of the Powerbase.
3. Ensure the Battery is aligned straight against the Powerbase edge trim, and there are no uneven gaps.
4. Install the two center fasteners provided with the batteries first; **do not tighten**.
5. Install the two outer fasteners provided with the batteries; **do not tighten**.
6. Torque the center fasteners first, then the outer fasteners to **1.6 N-m (14 in-lbf)**.
7. Verify the Battery is aligned straight against the Powerbase edge trim, and there are no uneven gaps.
8. Repeat Steps 1-7 for the second Battery.



Torque the two center fasteners first.

